

Installation Guide

Genesis room sensor

EN
SE
DE
FI



Installation Quick Guide

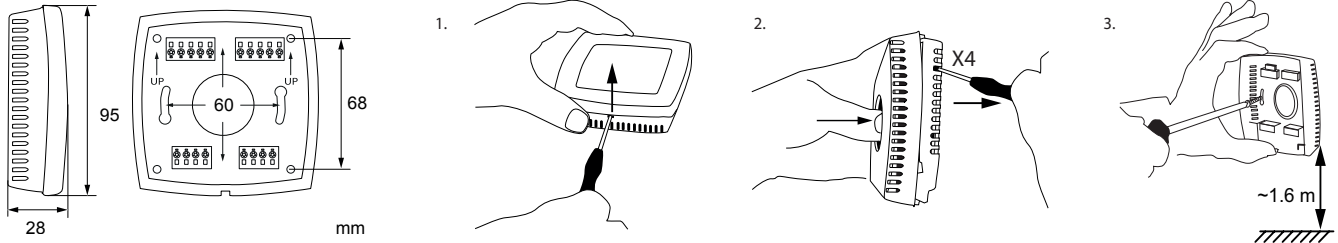
Indoor Room Sensor for Genesis control

The room sensor is an accessory that is used to set a desired indoor temperature. It should be installed in a place where the temperature is relatively constant, not in a hallway, kitchen or in a room with alternative heating.

Room sensor function

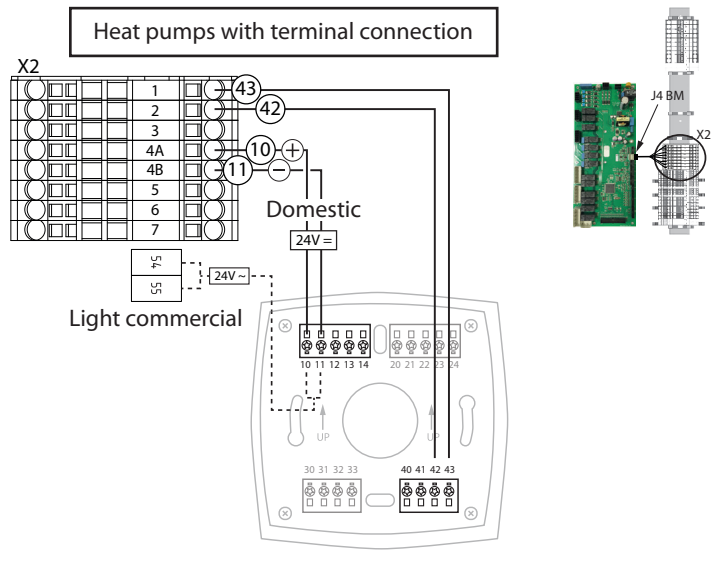
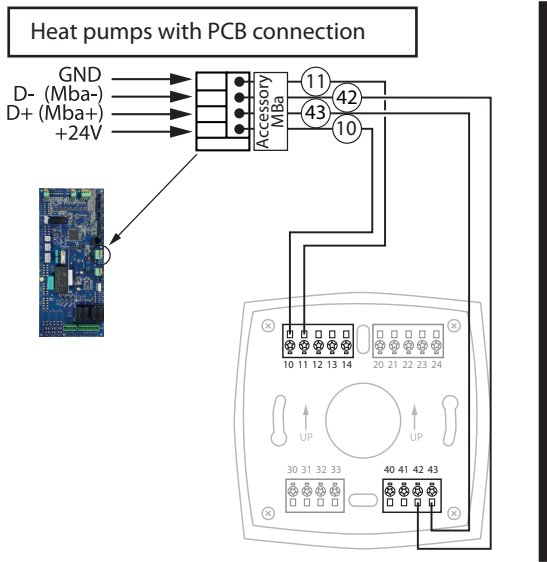
A correctly set heat curve (see the heat pump manual) is essential for a stable indoor climate. An active room sensor can compensate for temporary indoor temperature changes caused by insulation, a fireplace or any other external heat source. To obtain a good indoor climate and low operating cost, the heat pump is regulated by the outdoor temperature and the current indoor temperature. This can cause a natural deviation between the set temperature and the reached temperature.

To activate the room sensor, Genesis software version **3.01.002**, or higher is needed. If the heat pump has a previous version you have to do a software update.



Turn off all power to the heat pump before any work is started.
Ensure that the installation complies with local safety regulations.

Twisted pair data cable or telephone cable at least 0.25mm². (42, 43)



Enable room sensor in the heat pump controller:

1. Press
2. Press and enter the code (60, 70, 80) for access.
3. Press to confirm.
4. Press select **Heat** and use the arrows to go to Indoor room sensor.
5. Select **Active** to allow the room temperature sensor to regulate the heat. Select **Passive** if you only want to see the current temperature on the room sensor and allow the heat pump to regulate the heat only according to the set heating curve.

Heat deficiency:

Room sensor influence	Desired room temperature in °C	Current room temperature in °C	Set point, supply line in °C
0	22	20	40
1	22	20	42
2	22	20	44
3	22	20	46

Excessive heat

Room sensor influence	Desired room temperature in °C	Current room temperature in °C	Set point, supply line in °C
0	20	22	40
1	20	22	38
2	20	22	36
3	20	22	32

Startup Room sensor Active mode

1. Press the button to start the room sensor. The room sensor is now displaying the current temperature and it is also shown in the display of the heat pump.

2. Set the desired temperature using the arrow buttons. It is approximately 10 second delay in the communication between the room sensor and the heat pump after entered value in the room sensor.

You can manage the compensation (room sensor influence) in the heat pump control unit under header **"Room sensor"**.

A guideline to set the **room sensor influence** (depending on the desired regulation and the room sensor position):

- 1-2 for floor heating systems
- 2-3 for radiator systems
- 0 = no influence, 3 = large influence.

EMC emissions & immunity standards

This product conforms to the requirements of the EMC Directive 2004/108/EC through product standards EN 61000-6-1 and EN 61000-6-3.

RoHS

This product conforms to the Directive 2011/65/EU of the European Parliament and of the Council.

Thermia AB
Box 950
SE 671 29 ARVIKA
Phone +46 570 81300
E-mail: info@thermia.se
Internet: www.thermia.se

Thermia can accept no responsibility for possible errors in catalogues, brochures and other printed material. Thermia reserves the right to alter its products without notice. This also applies to products already on order provided that such alterations can be made without subsequent changes being necessary in specifications already agreed. All trademarks in this material are property of the respective companies. Thermia AB and the Thermia logotype are trademarks of Thermia AB. All rights reserved.